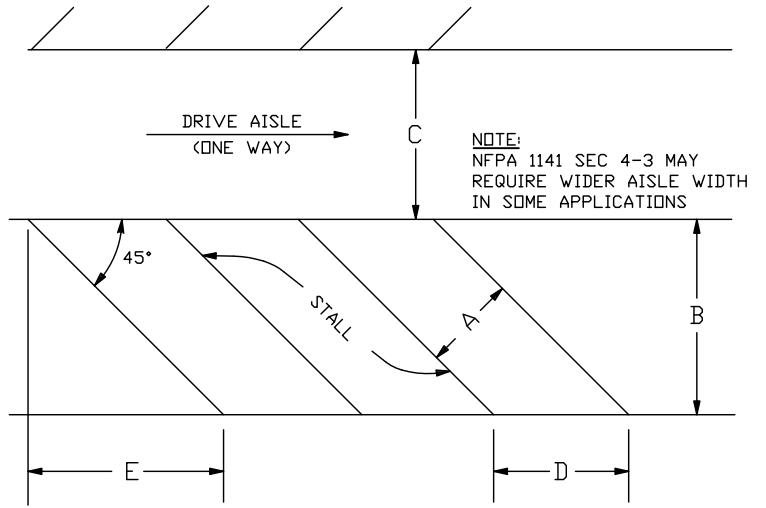
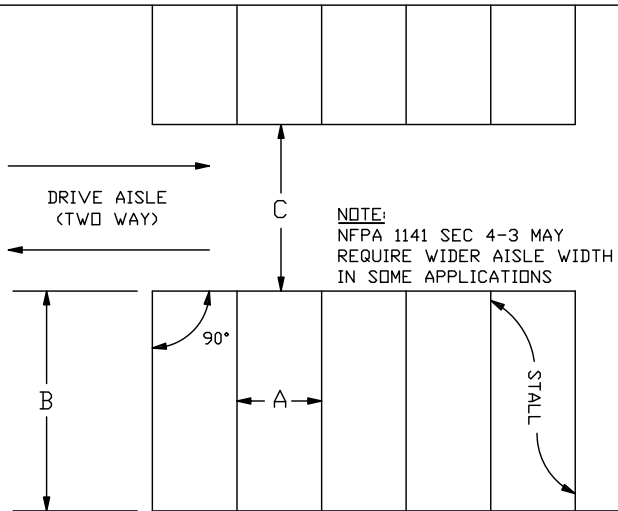


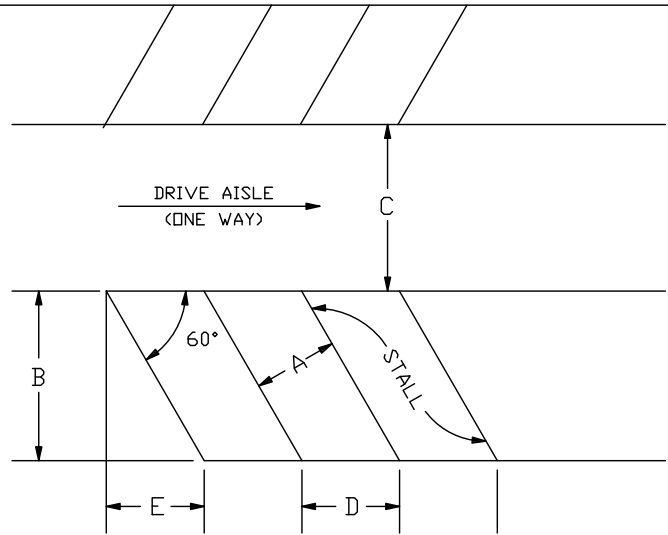
PARALLEL PARKING	"A" STALL WIDTH	"B" STALL LENGTH	"C" MIN. AISLE WIDTH
* (COMPACT)	*8'-0"	20.0	10.0
	8'-6"	23.0	12.0
	9'-0"	23.0	12.0
	9'-6"	23.0	12.0
	10'-0"	23.0	12.0



PARKING ANGLE	"A" STALL WIDTH	"B" AISLE TO END OF STALL	"C" MIN. AISLE WIDTH	"D" STALL WIDTH ON SKEW	"E"
45°					
* (COMPACT)	*8'-0"	16.3	13.5	11.6	16.3
	8'-6"	19.4	13.5	12.0	19.4
	9'-0"	19.8	13.0	12.7	19.8
	9'-6"	20.1	13.0	13.4	20.1
	10'-0"	20.5	13.0	14.1	20.5



PARALLEL PARKING 90°	"A" STALL WIDTH	"B" STALL LENGTH	"C" MIN. AISLE WIDTH
* (COMPACT)	*8'-0"	15.0	22.0
	8'-6"	19.0	25.0
	9'-0"	18.0	24.0
	9'-6"	18.0	24.0
	10'-0"	18.0	24.0

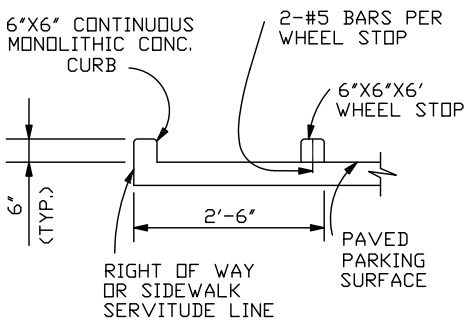


PARKING ANGLE	"A" STALL WIDTH	"B" AISLE TO END OF STALL	"C" MIN. AISLE WIDTH	"D" STALL WIDTH ON SKEW	"E"
60°					
* (COMPACT)	*8'-0"	17.0	18.5	9.4	10.1
	8'-6"	20.7	18.5	9.8	11.9
	9'-0"	21.0	18.0	10.4	12.12
	9'-6"	21.2	18.0	11.0	12.24
	10'-0"	21.5	18.0	11.5	12.41

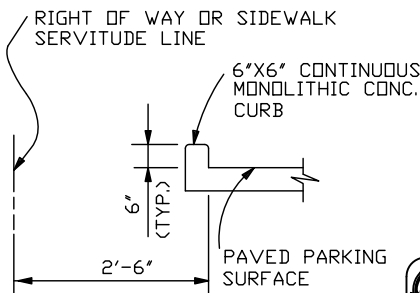
*APPLIES ONLY TO COMPACT PARKING SPACES. SEE COMPREHENSIVE ZONING ORDINANCE.

WHEN THE END OF PARKING STALL ABUTS THE RIGHT OF WAY LINE, OR SIDEWALK SERVITUDE LINE, USE DETAIL "A" OR "B".

DETAIL "A" OR "B" WILL ALSO APPLY IN CASES WHEN PARKING STALL DOES NOT ABUT THE RIGHT OF WAY LINE OR SIDEWALK SERVITUDE LINE, BUT IS WITHIN 10 FEET OF SAID LINE.



DETAIL "A"



DETAIL "B"

NOTED:
PRE-POUR INSPECTIONS ARE REQUIRED. CALL THE DEPARTMENT OF ENGINEERING AT 504-349-5173 FOR APPOINTMENT.

COMMERCIAL PLAN
OF DETAIL NO. 3

JEFFERSON PARISH DEPARTMENT OF ENGINEERING

DRAWING TITLE
TYPICAL SPACE REQUIREMENTS FOR SELF-PARKING AT VARIOUS ANGLES

DRAWN BY: T.V.C.	DATE: 08/12/93	REVISOR: L.V.H.	DATE: 02/05/98
REVISOR: L.V.H.	DATE: 10/01/98	REVISOR: L.V.H.	DATE: 06/06/00
APP. TO APPROVE: H.J.W.	DATE: 02/11/05	REVISOR: H.J.W.	DATE: 06/23/05
REVISOR: C.H.S.	DATE: 01/27/09	DATE: -	DATE: -
APP. AUTOCAD: 2000/LT. 2000	DATE: -	DATE: -	DATE: -
FILE NUMBER: ENV-09	SCALE: N.T.S.		

PARKING STALLS MUST BE STRIPED WITH A FOUR (4) INCH CONTRASTING STRIPE (YELLOW ON CONCRETE AND YELLOW OR WHITE ON ASPHALT PARKING LOT).