

SANITARY SEWER STANDARD TRENCH DETAILS
N.T.S.

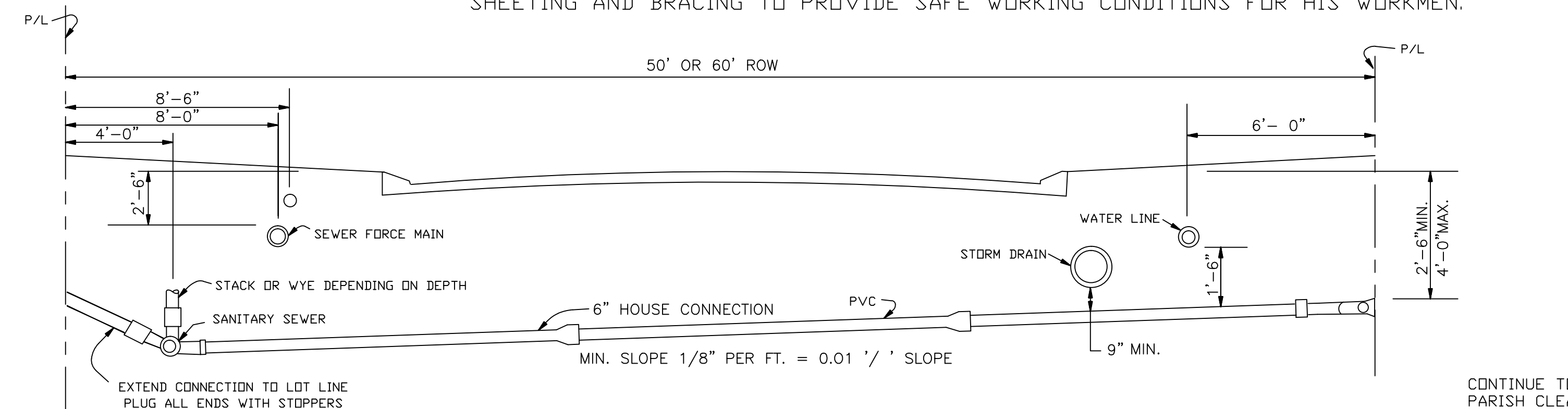
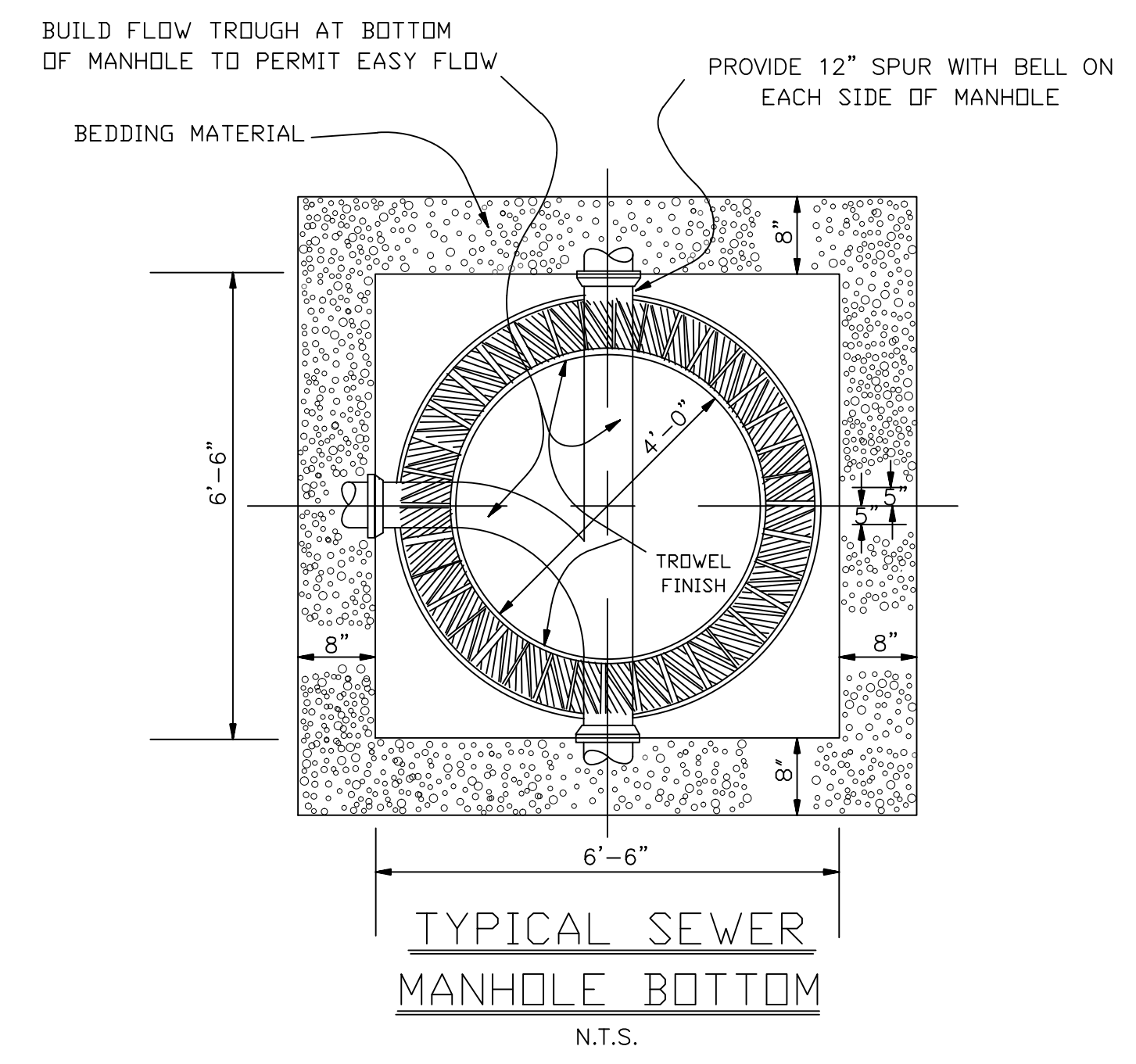
NOTE: TIMBER SHEETING AND BRACING SHOWN ABOVE ARE MIN. REQUIREMENTS TO CONTROL THE WIDTH OF THE EXCAVATED TRENCH AND TO SAFEGUARD THE INTEGRITY OF THE SEWER FOUNDATION, BEDDING AND BACKFILL. IN ADDITION TO THESE MIN. REQUIREMENTS, THE CONTRACTOR SHALL PROVIDE SUFFICIENT SHEETING AND BRACING TO PROVIDE SAFE WORKING CONDITIONS FOR HIS WORKMEN.

SEWERAGE TRENCH TYPE VS DEPTH (FEET)

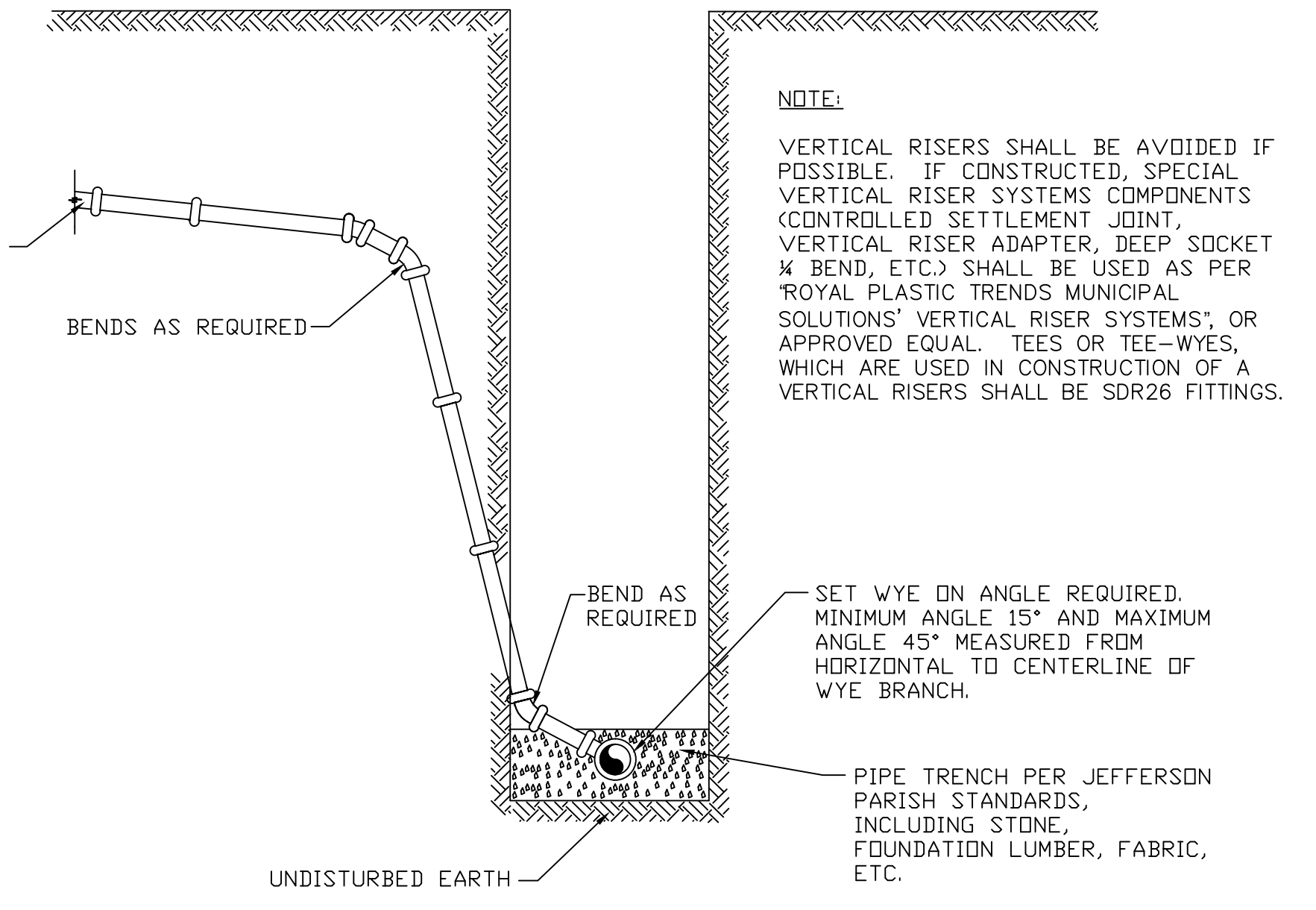
SOIL TYPE	0-4	4-6	6-8	8-10
17	I	II	III	V
6	I	II	III	V
16	II	II	III	V
14	II	II	III	V
13	II	II	III	V
3	II	III	IV	V
9	II	III	IV	V
5	II	III	IV	V
20	II	III	IV	V
18	II	III	IV	V
4	II	III	IV	V
1	II	III	IV	V
11	II	III	IV	V
2	II	III	IV	V
8	II	III	IV	V

- NOTES:**
- ONLY HARDWOOD SUCH AS OAK SHALL BE ALLOWED FOR SHEETING, BRACING, AND FOUNDATION LUMBER.
 - AT THE CONTRACTOR'S OPTION, FOUNDATION LUMBER MAY BE USED IN TRENCH TYPES I & II.
 - THE CONTRACTOR MUST REVIEW AND UNDERSTAND ALL DETAILS AND TABLES ON THIS STANDARD DRAWING SHEET PRIOR TO BIDDING. THE ABOVE TABLE DICTATES THE TYPE OF REQUIRED TRENCHES (TYPES I, II, III, IV, AND V) BASED ON THE SOIL TYPE (TYPES 1 - 20). THE SPECIFIC SOIL TYPE MUST BE IDENTIFIED IN THE BID DOCUMENTS FOR EACH CONSTRUCTION PROJECT. THIS, SIMPLY, CAN BE ACCOMPLISHED BY CIRCLING THE SOIL TYPE AND THE ASSOCIATED TRENCH TYPES (BOX THE ENTIRE ROW).
 - BEDDING MATERIALS FOR HOUSE CONNECTION TO BE IN CONFORMANCE WITH THE FOLLOWING SCHEDULE:

TYPE OF MAIN SEWER TRENCH BEDDING	TYPE OF REQUIRED HOUSE CONNECTION TRENCH BEDDING
V	IV
IV	III
III	II
II	I
I	CRUSHED LIME STONE OR GRAVEL ONLY



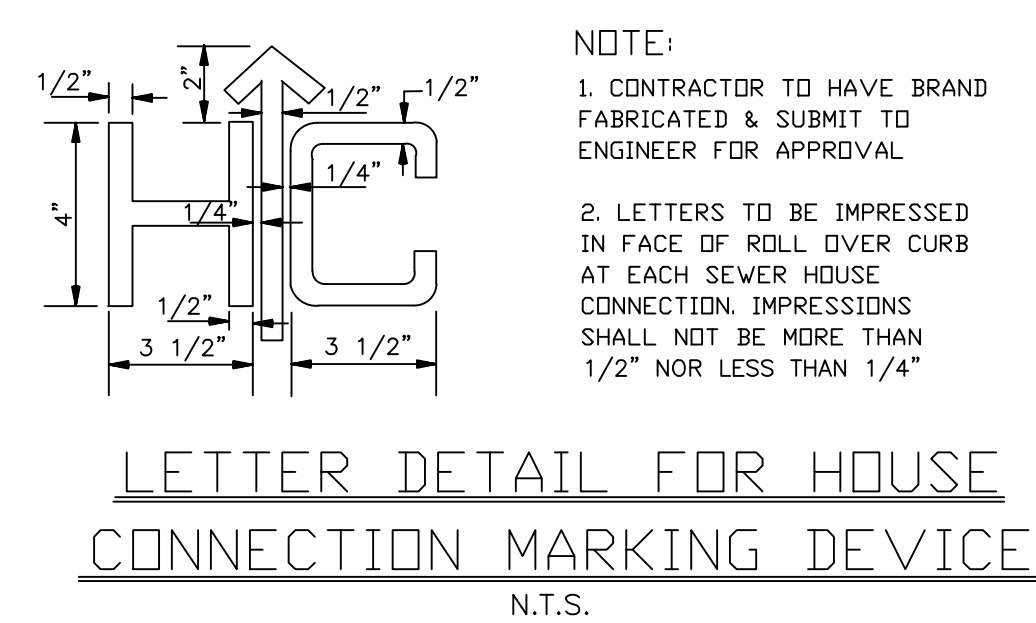
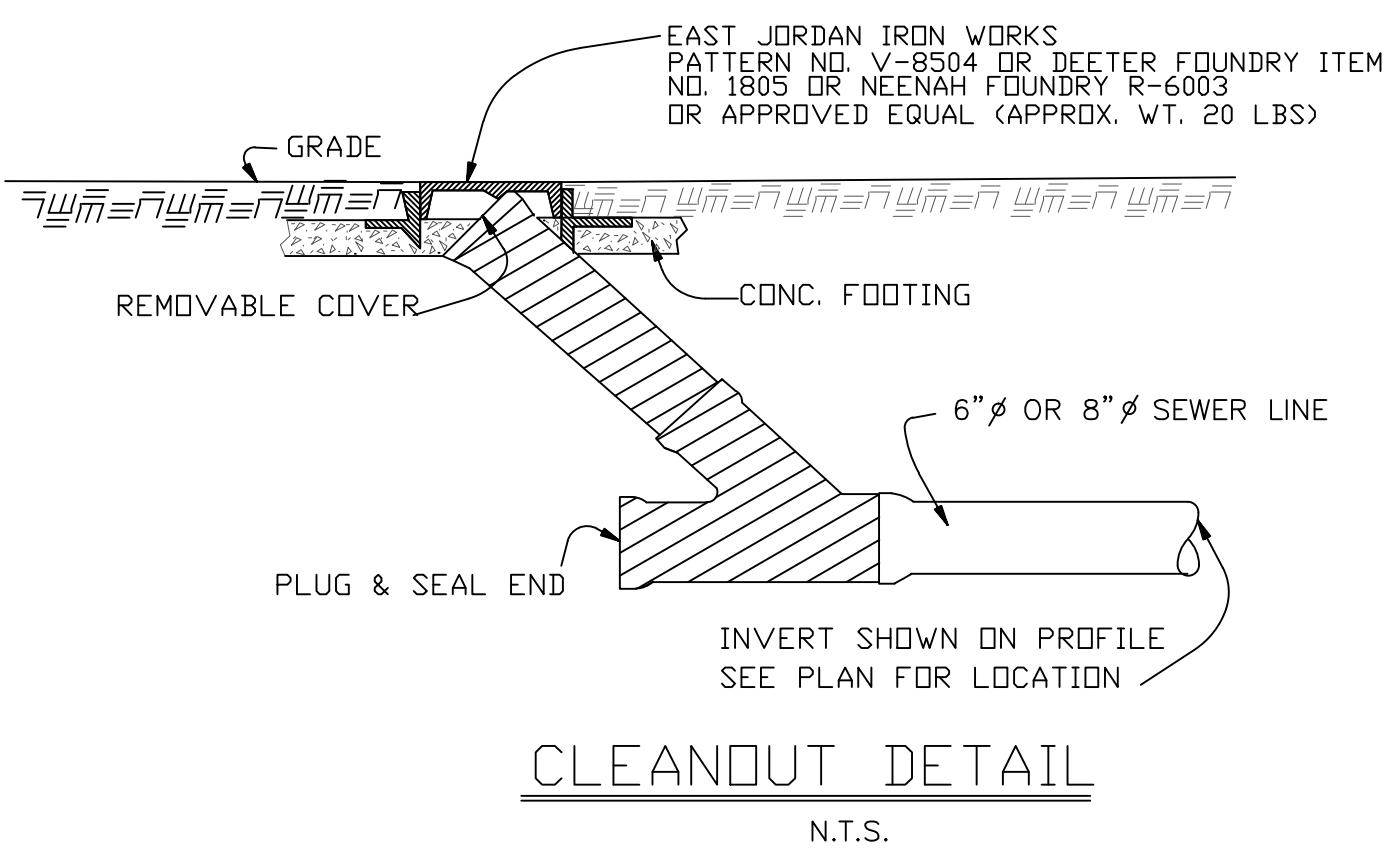
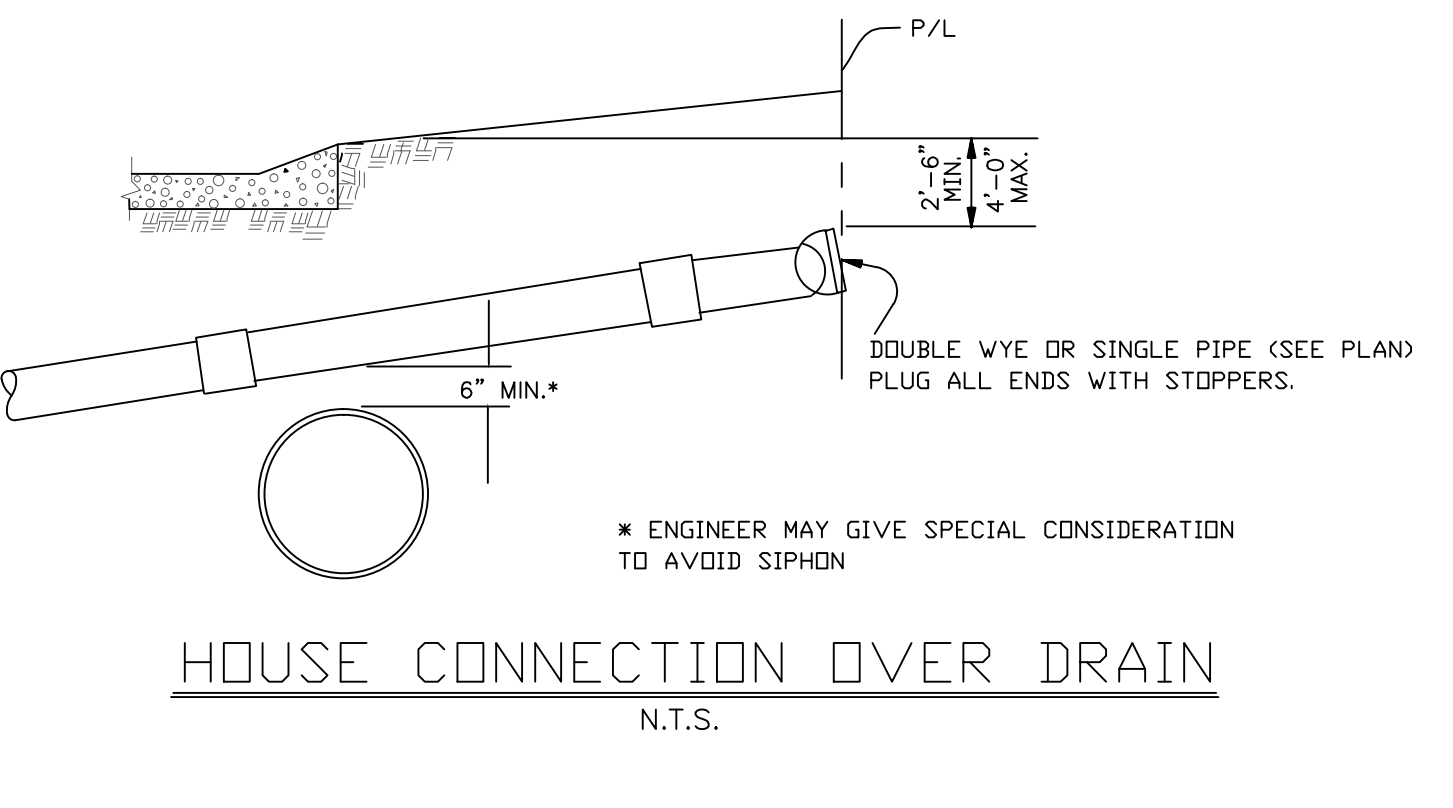
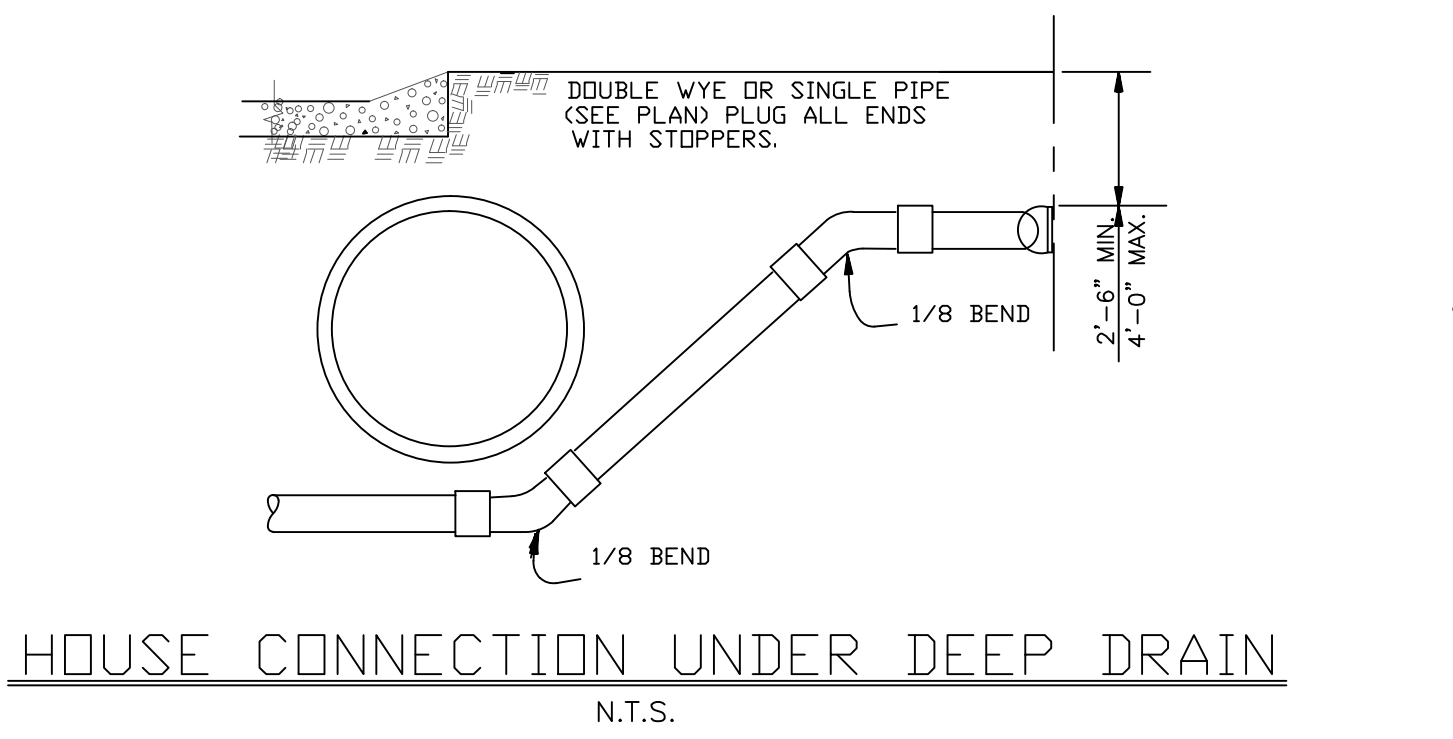
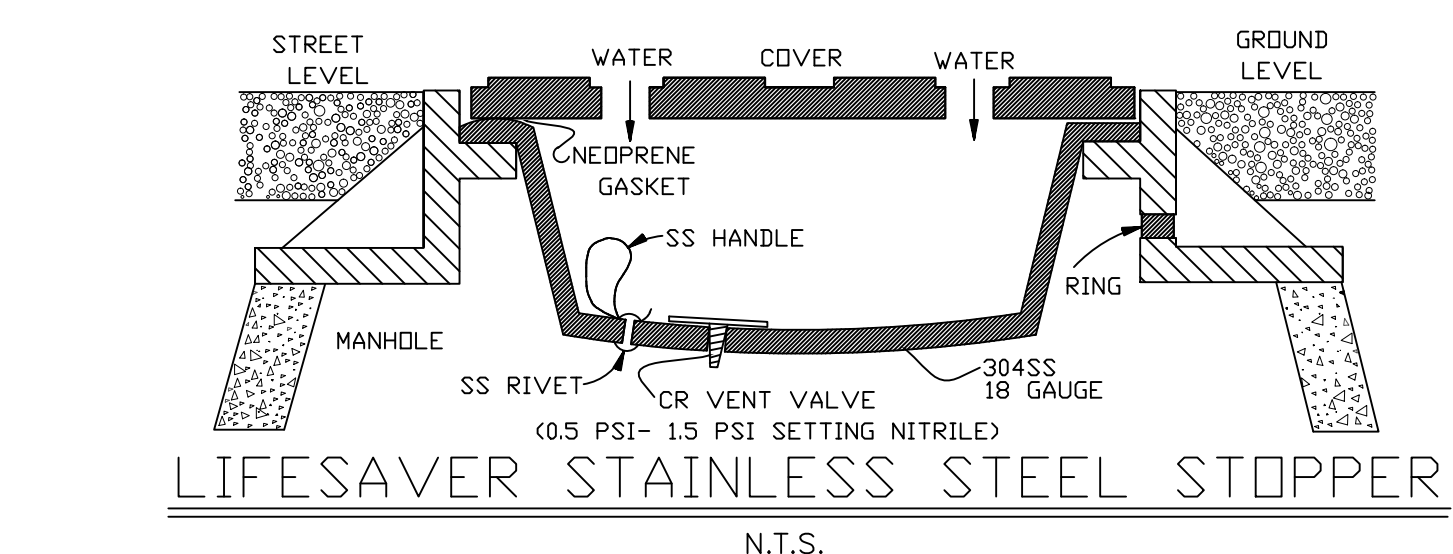
PVC SDR 26, ASTM D3034
TYPICAL SEWER HOUSE CONNECTION REQUIREMENT AND UTILITY LOCATIONS
PIPE FOR HOUSE CONNECTION SHALL CONFORM TO SAME MATERIAL TYPE USED IN MAIN LINE.



NOTE: VERTICAL RISERS SHALL BE AVOIDED IF POSSIBLE. IF CONSTRUCTED, SPECIAL VERTICAL RISER SYSTEMS COMPONENTS (CONTROLLED SETTLEMENT JOINT, VERTICAL RISER ADAPTER, DEEP SOCKET W BEND, ETC.) SHALL BE USED AS PER 'ROYAL PLASTIC TRENDS MUNICIPAL SOLUTIONS' VERTICAL RISER SYSTEMS, OR APPROVED EQUAL. TEES OR TEE-WYES, WHICH ARE USED IN CONSTRUCTION OF A VERTICAL RISERS SHALL BE SDR26 FITTINGS.

SET WYE ON ANGLE REQUIRED. MINIMUM ANGLE 15° AND MAXIMUM ANGLE 45° MEASURED FROM HORIZONTAL TO CENTERLINE OF WYE BRANCH.

PIPE TRENCH PER JEFFERSON PARISH STANDARDS, INCLUDING STONE, FOUNDATION LUMBER, FABRIC, ETC.



NOTE:

- CONTRACTOR TO HAVE BRAND FABRICATED & SUBMIT TO ENGINEER FOR APPROVAL.
- LETTERS TO BE IMPRESSED IN FACE OF ROLL OVER CURB AT EACH SEWER HOUSE CONNECTION. IMPRESSIONS SHALL NOT BE MORE THAN 1/2" NOR LESS THAN 1/4"

JEFFERSON PARISH DEPARTMENT OF ENGINEERING

SEWER STANDARD DETAILS

DRAWN BY: T.V.C. DATE: 03/05/92 CHECKED BY: L.L. DATE: 03/06/92

REVISED BY: G.L. DATE: 08/30/95 REVISED BY: P.D. DATE: 05/30/00

REVISED BY: H.J.W. DATE: 07/27/00 REVISED BY: P.D. DATE: 02/09/04

REVISED BY: J.L. DATE: 10/05/06 REVISED BY: C.J. DATE: 07/11/13

FILE NUMBER: AUTOCAD LT. 2008 WIN: SEWER1.DWG

SCALE: AS SHOWN SHEET NO. 1 OF 2