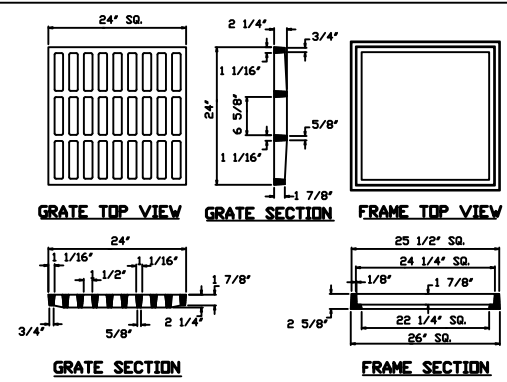


NOTES:

1. CULVERT SIZE SHOWN PERTAIN TO B & S PIPE. (UNLESS OTHERWISE SPECIFIED).
2. CONCRETE STRENGTH TO BE 3,000 PSI (MINIMUM) AT 28 DAYS.
3. DIMENSIONS FOR BOTTOM SLAB AS PER DIMENSIONS FOR WALLS 'A' AND 'B'.
4. WHEN BOX IS 7'-0" OR LESS IN HEIGHT, WALLS TO BE 8" THICK, WHEN BOX HEIGHT IS GREATER THAN 7'-0" BUT LESS 12'-0". SEE DETAIL 'A'.
5. WIDTH OF SHELL BEDDING SHALL BE AS PER DIMENSIONS SHOWN FOR WALLS 'A' AND 'B' PLUS 2'-0".
6. ALL MASONRY TO BE LAID WITH RUNNING BOND AND HEADER COURSE (EVERY FOURTH LAYER).
7. ALL WALLS TO BE PLASTERED INSIDE AND OUTSIDE (1/2" MIN. THICKNESS).
8. ALL GRATES AND FRAMES SHALL BE EAST JORDAN, US FOUNDRY, BARRYCRAFT, NEENAH OR APPROVED EQUAL. ALL GRATES AND FRAMES SHALL BE CAST IRON TYPE AND WITHOUT PAINT.

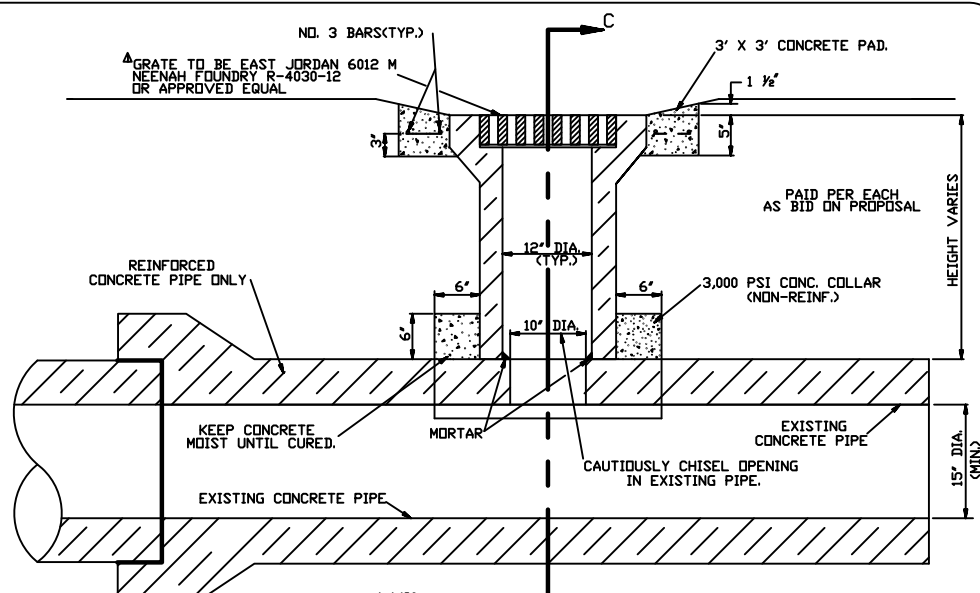
NOTE:
ALL GREY CASTINGS FOR MANHOLES, AND CATCH BASINS OF ALL TYPES SHALL CONFORM TO THE REQUIREMENTS OF A.S.T.M. A-48, CLASS 30. AND SHALL BE FURNISHED WITHOUT PAINT (AASHTO#306-891)

SQUARE GRATE EAST JORDAN V-5724-1 OR US FOUNDRY USF 4618 FRAME & 6258 GRATE OR APPROVED EQUAL							
CULVERT SIZE	BOTTOM SLAB	TOP SLAB (A & B)	C & D	CULVERT SIZE	BOTTOM SLAB	TOP SLAB	C & D
12" DIA.	4'-2" X 4'-2"	3'-2" X 3'-2"	7 7/8"	21" DIA X 24" DIA.	5'-0" X 5'-0"	4'-6" X 4'-6"	15 7/8"
15" DIA.	4'-4" X 4'-4"	3'-4" X 3'-4"	8 7/8"	27" DIA X 30" DIA.	6'-0" X 6'-0"	5'-0" X 5'-0"	18 7/8"
18" DIA.	4'-6" X 4'-6"	3'-6" X 3'-6"	9 7/8"	36" DIA.	6'-6" X 6'-6"	5'-6" X 5'-6"	21 7/8"
RECTANGULAR GRATE EAST JORDAN V-5662 OR BARRYCRAFT B-1878-B6 W/GRATE OR APPROVED EQUAL							
CULVERT SIZE ON WALLS A & B	WALL 'A'	'C'	WALL 'B'	'D'			
21" DIA & 24" DIA. B & S	4'-6"	15" (3 NO.5 BARS)	4'-6"	15" (3 NO.5 BARS)			
27" DIA & 30" DIA. B & S	5'-0"	18" (3 NO.5 BARS)	5'-0"	15" (3 NO.5 BARS)			
36" DIA. B & S	5'-9"	22 1/2" (3 NO.5 BARS)	5'-9"	19 1/2" (3 NO.5 BARS)			
42" DIA. B & S	6'-6"	27" (4 NO.5 BARS)	6'-6"	24" (4 NO.5 BARS)			
48" DIA. B & S	7'-0"	30" (5 NO.5 BARS)	7'-0"	27" (4 NO.5 BARS)			
54" DIA. T & G	7'-3"	31 1/2" (5 NO.5 BARS)	7'-3"	28" (4 NO.5 BARS)			
60" DIA. T & G	7'-9"	35" (6 NO.5 BARS)	7'-9"	32" (6 NO.5 BARS)			
72" DIA. T & G	9'-0"	42" (7 NO.5 BARS)	9'-0"	39" (7 NO.5 BARS)			

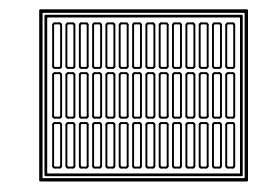


SQUARE D.I.
N.T.S.

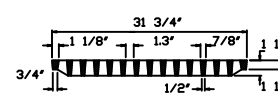
B & S = BELL & SPIGOT
T & G = TONGUE & GROOVE
W.I. = WROUGHT IRON



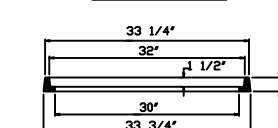
TEE INLET DETAIL
N.T.S.



FRAME AND GRATE TOP VIEW

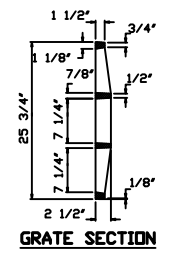


GRATE SECTION

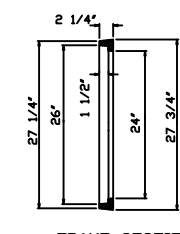


FRAME SECTION

RECTANGULAR D.I.
N.T.S.

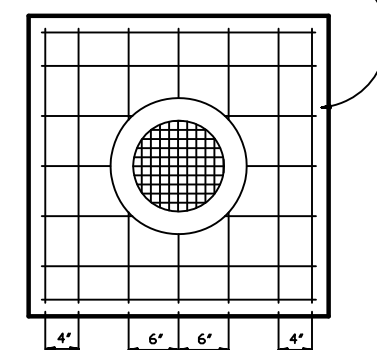


GRATE SECTION



FRAME SECTION

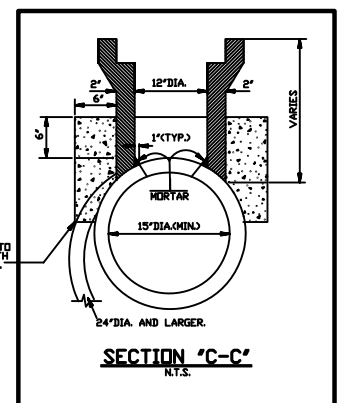
3' X 3' CONCRETE PAD



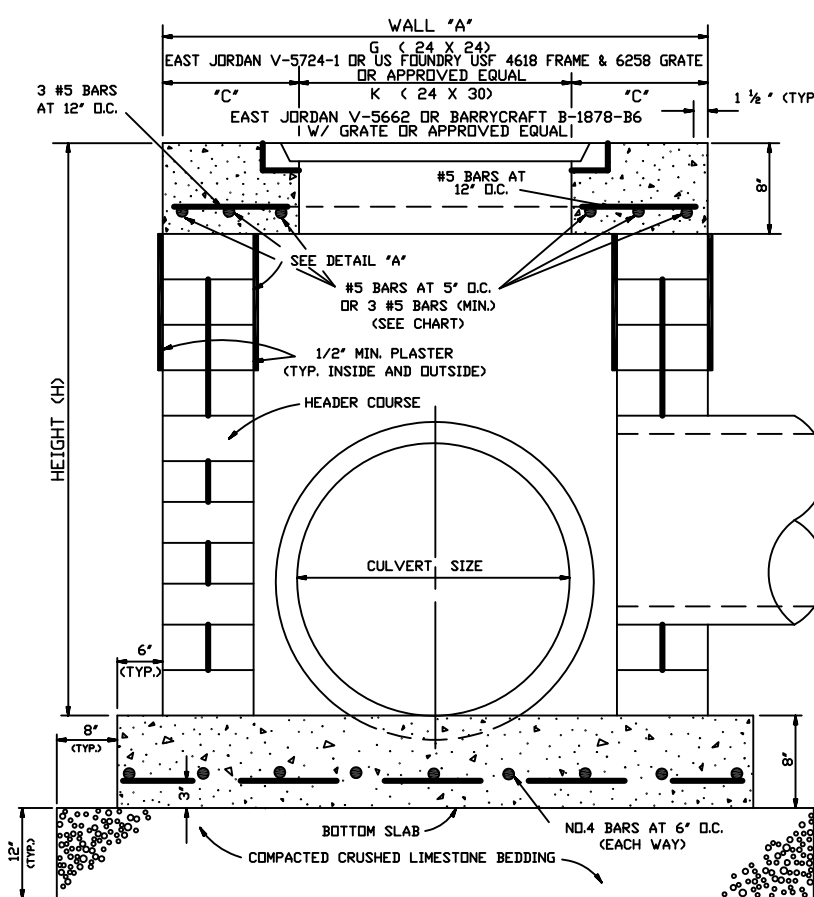
TOP VIEW

7 NO.3 BARS SPACED AS SHOWN (EACH WAY)
N.T.S.

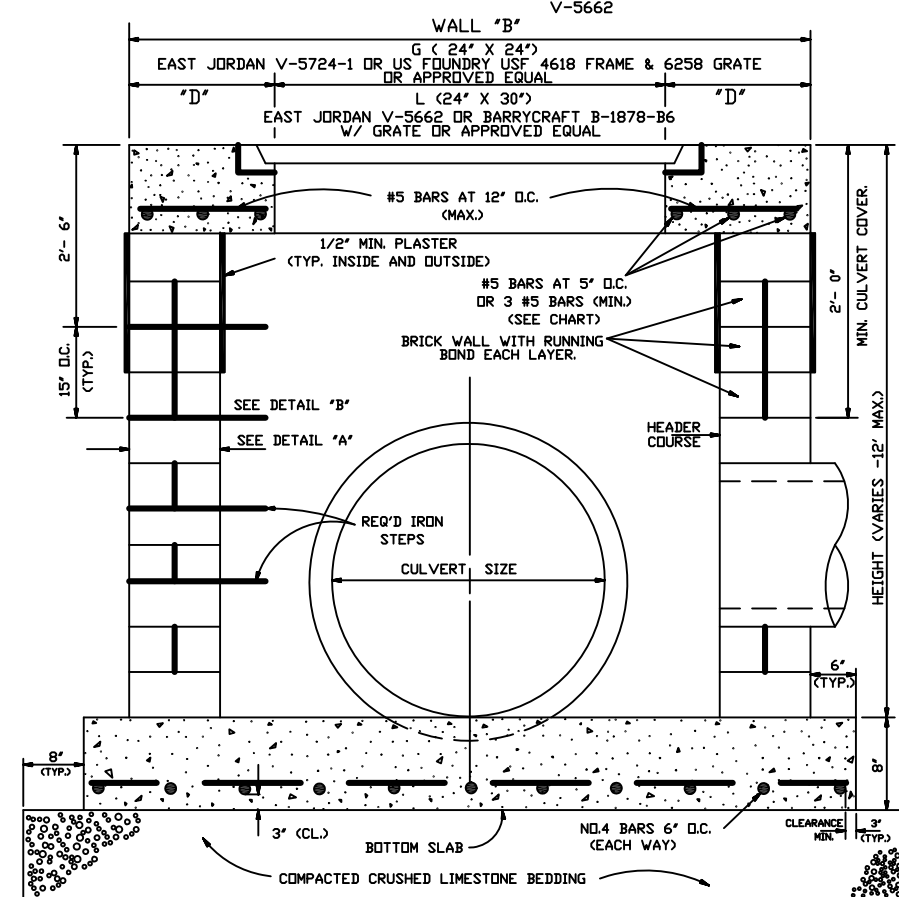
ARCH PIPE (RISE X SPAN)	X (INCHES)	1/4 X (INCHES)
13 1/2" X 22"	2"	1/2"
15 1/2" X 26"	2 1/4"	3/4"
18" X 28 1/2"	3"	3/4"
22 1/4" X 36 1/4"	3 3/4"	1 1/4"
26 1/4" X 43 3/4"	3"	3/4"
31 3/4" X 51 7/8"	3 1/2"	7/8"
36" X 58 1/2"	4 1/2"	1 1/4"
40 1/4" X 65"	5 1/4"	1 3/8"
45" X 73 1/2"	5"	1 1/2"
54" X 88"	6"	1 1/2"
62 1/4" X 102"	6 1/2"	1 1/2"
77 1/4" X 122"	7"	1 3/4"



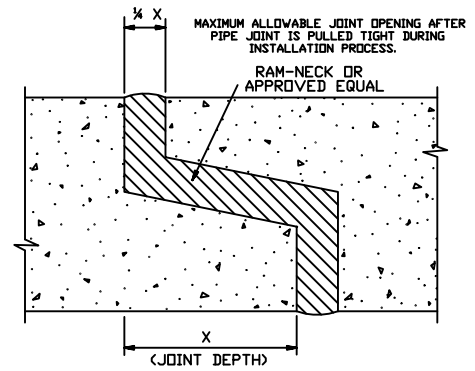
SECTION 'C-C'
N.T.S.



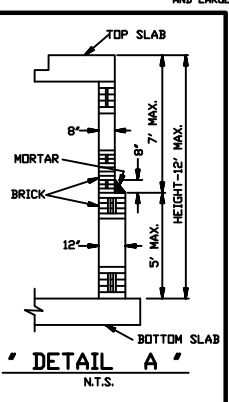
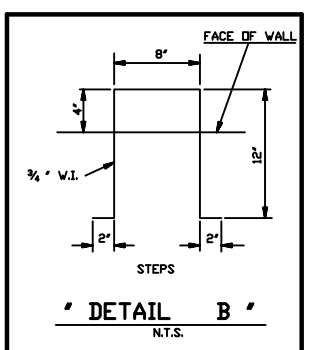
SECTION " A - A "
N.T.S.



SECTION " B - B "
N.T.S.



APPLICABLE TO TONGUE AND GROOVE PIPE
(ARCH PIPE ONLY)
N.T.S.



' DETAIL A '
N.T.S.

JEFFERSON PARISH DEPARTMENT OF ENGINEERING

DRAINAGE STANDARD DETAILS

DRAWN BY: H.J.W.	DATE: 08/07/92	REVISION BY: H.J.W.	DATE: 06/13/94
REVISION BY: H.J.W.	DATE: 07/25/97	REVISION BY: H.J.W.	DATE: 01/04/04
REVISION BY: J.L.	DATE: 11/26/07	REVISION BY: -	DATE: -
REVISION BY: C.J.	DATE: 07/11/13	REVISION BY: -	DATE: -

APP: AUTOCAD LT. 2004
FILE NUMBER: 0025
DRAIN3.DWG