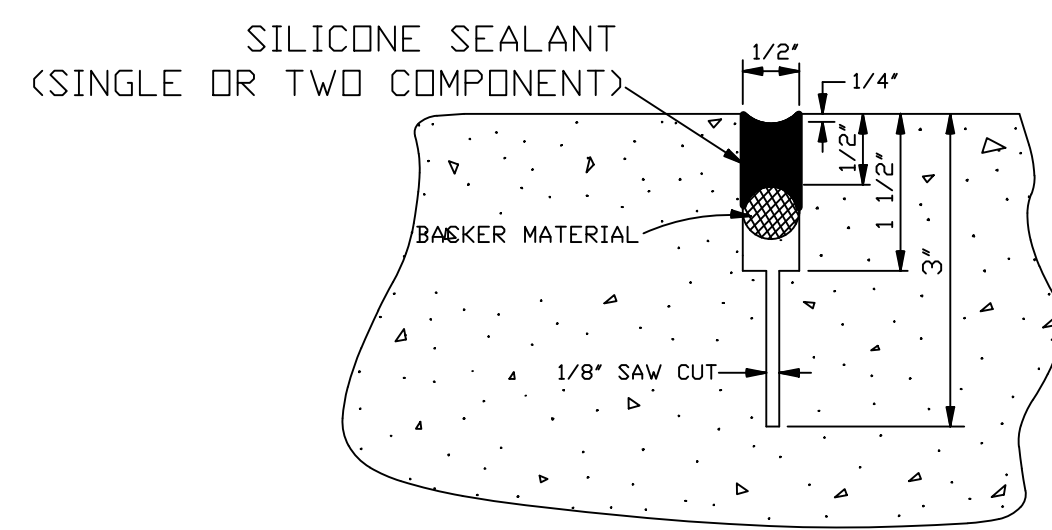
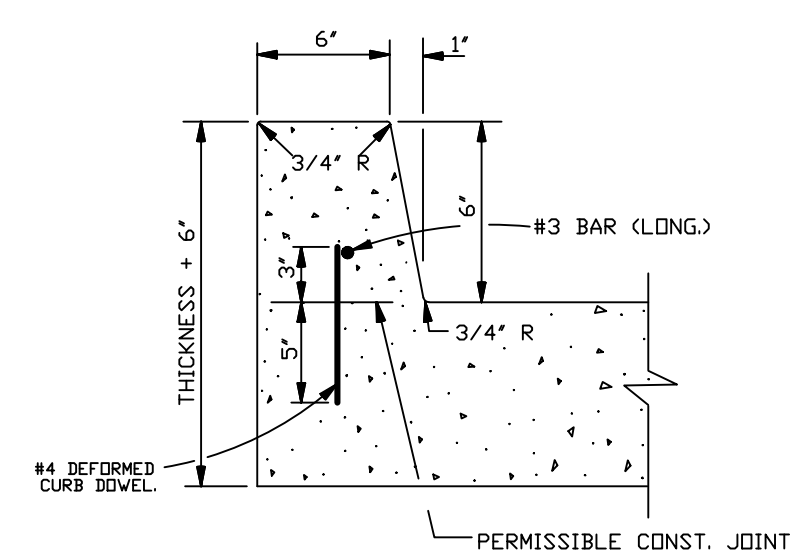


**DEFORMED LONGITUDINAL JOINT**  
(ALSO CALLED METAL KEYS JOINT)  
N.T.S.

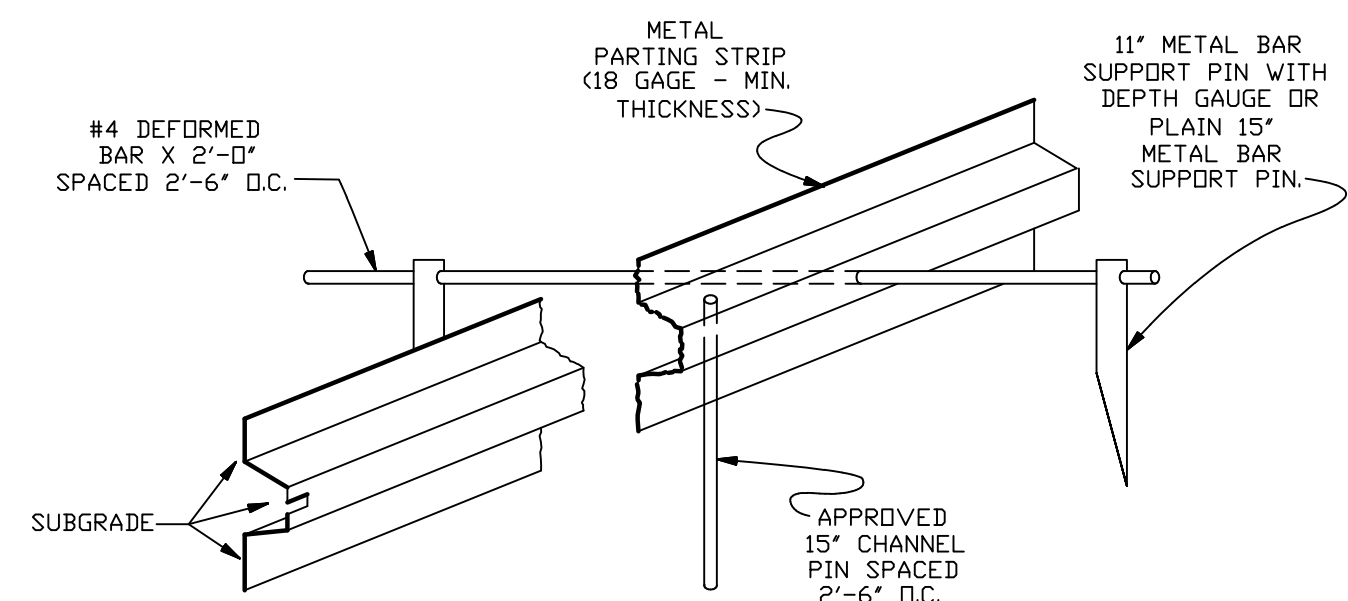


**DETAIL "A"**  
N.T.S.

DETAILS "A" AND "B" ARE USED IN CONJUNCTION WITH TRANSVERSE DUMMY JOINT OR CONST. JOINT.

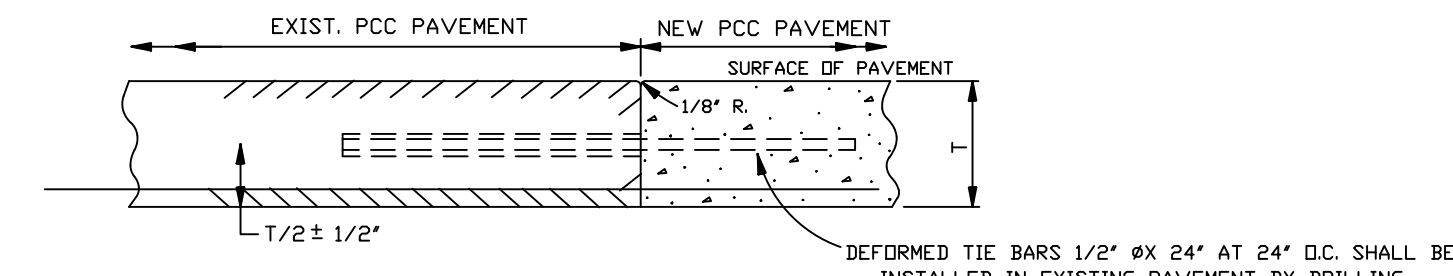


**6" HIGH BARRIER TYPE CONCRETE CURB.**  
(CONCRETE PAVEMENT ROADWAY)  
N.T.S.

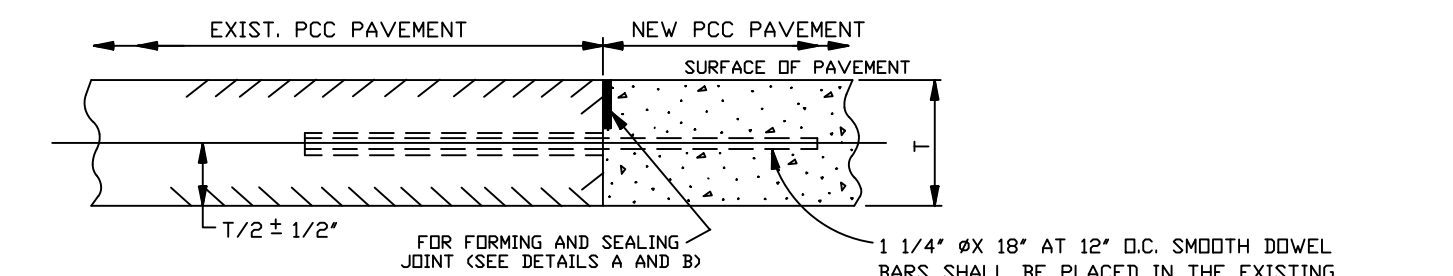


**OBlique VIEW METAL PARTING STRIP FOR DEFORMED LONGITUDINAL JOINT**  
N.T.S.

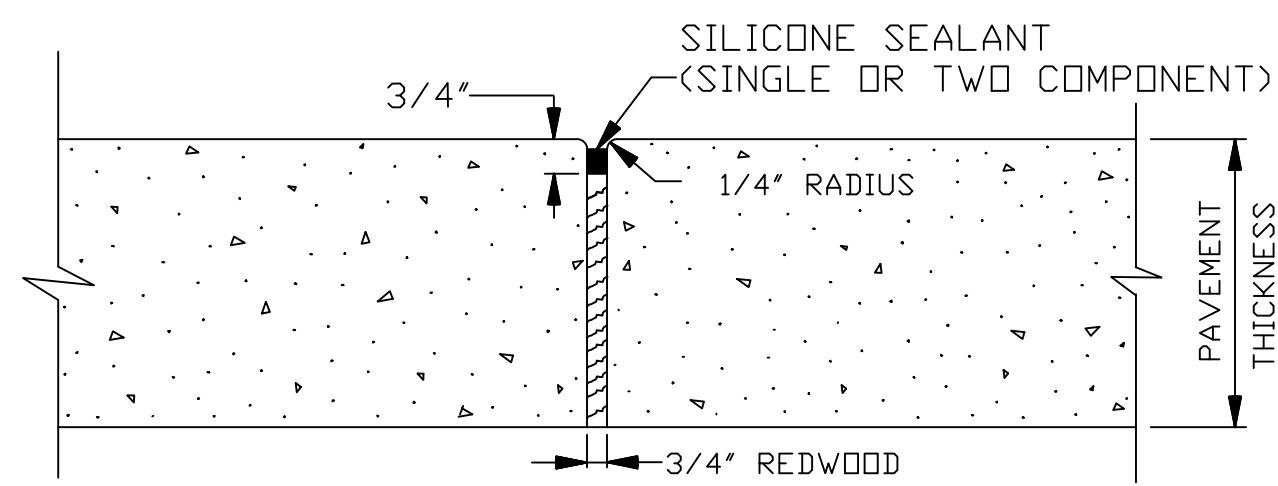
NOTE: ALL JOINTS FOR CONCRETE PAVEMENT SHOWN IN I.A. D.D.T.D. STANDARD PLANS CP-01 CAN BE USED AT THE REQUEST OF THE ENGINEER WHO SHALL PROVIDE CONSTRUCTION DETAILS TO CONTRACTOR.



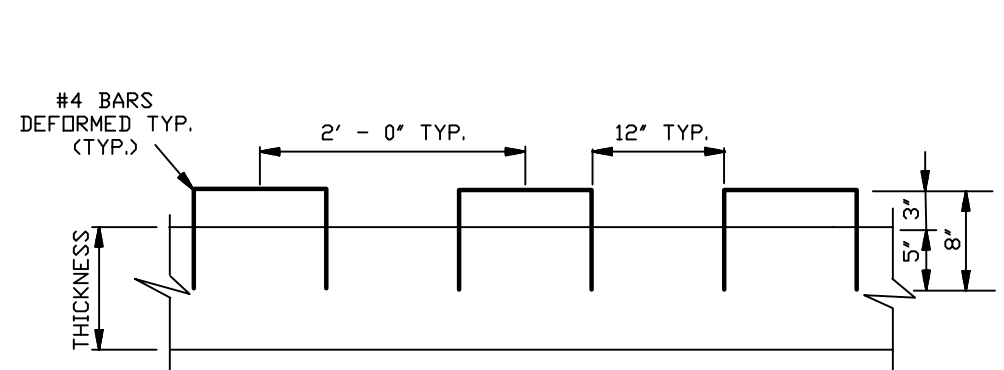
**LONGITUDINAL BUTT JOINT**  
(APPLICABLE TO MAJOR STREETS)  
N.T.S.



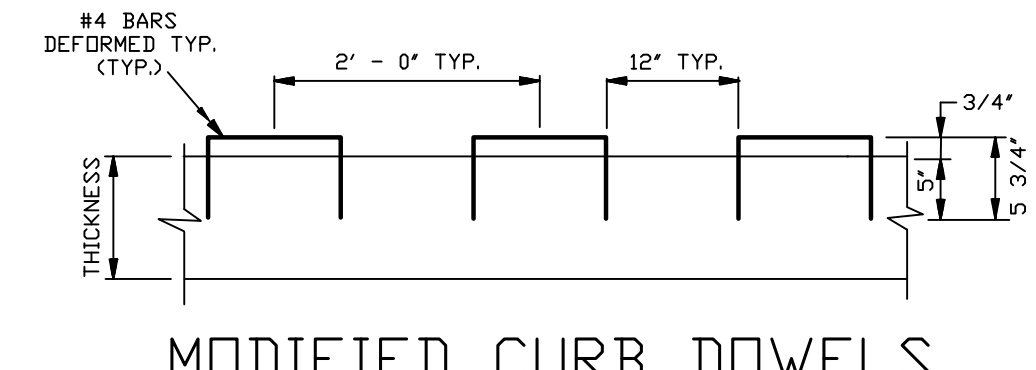
**TRANSVERSE BUTT JOINT**  
(APPLICABLE TO MAJOR STREETS)  
N.T.S.



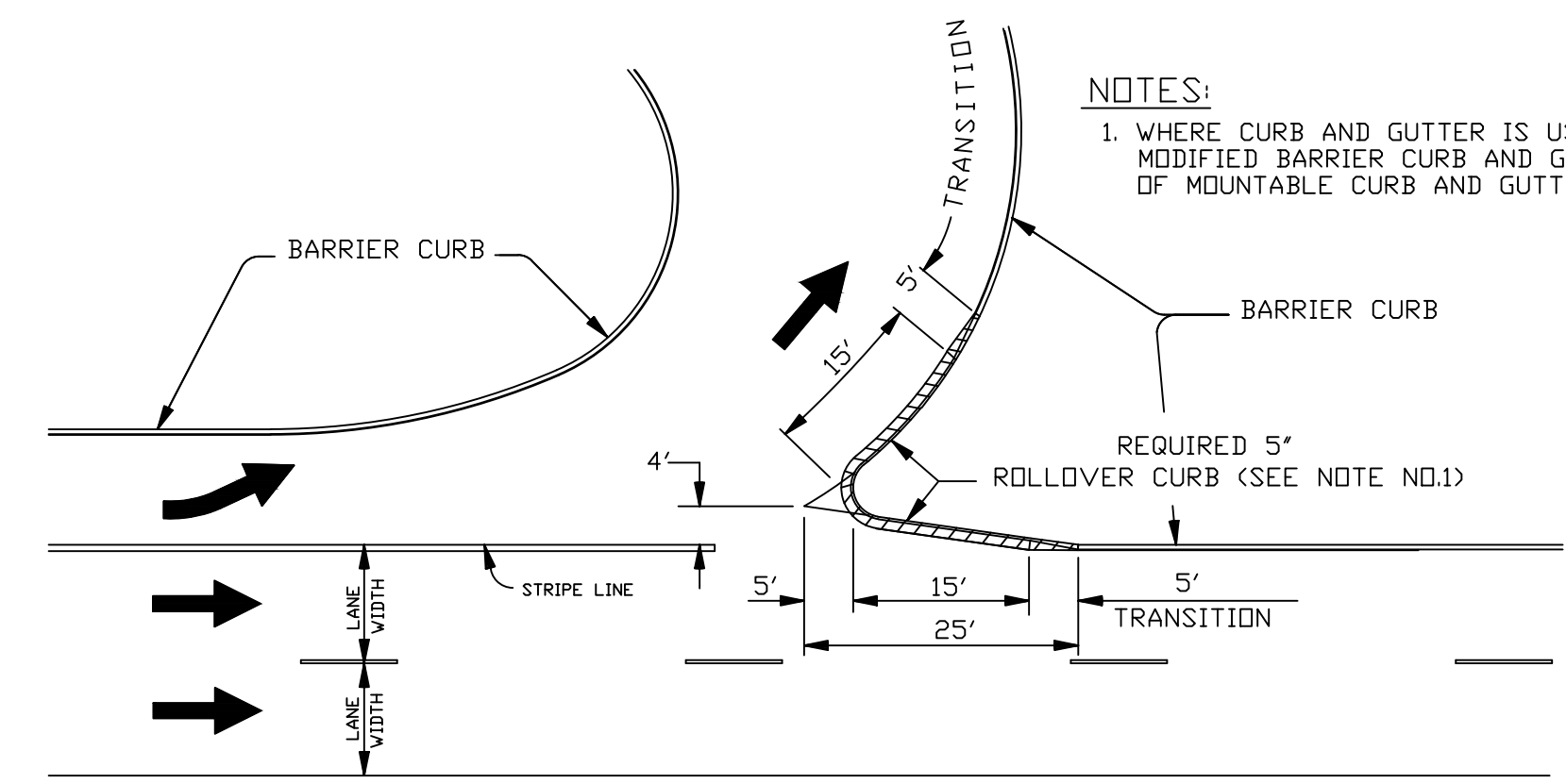
**EXPANSION JOINT**  
(FOR CONCRETE SIDEWALK & RAMP FOR HANDICAPPED)  
N.T.S.



**CURB DOWELS**  
N.T.S.

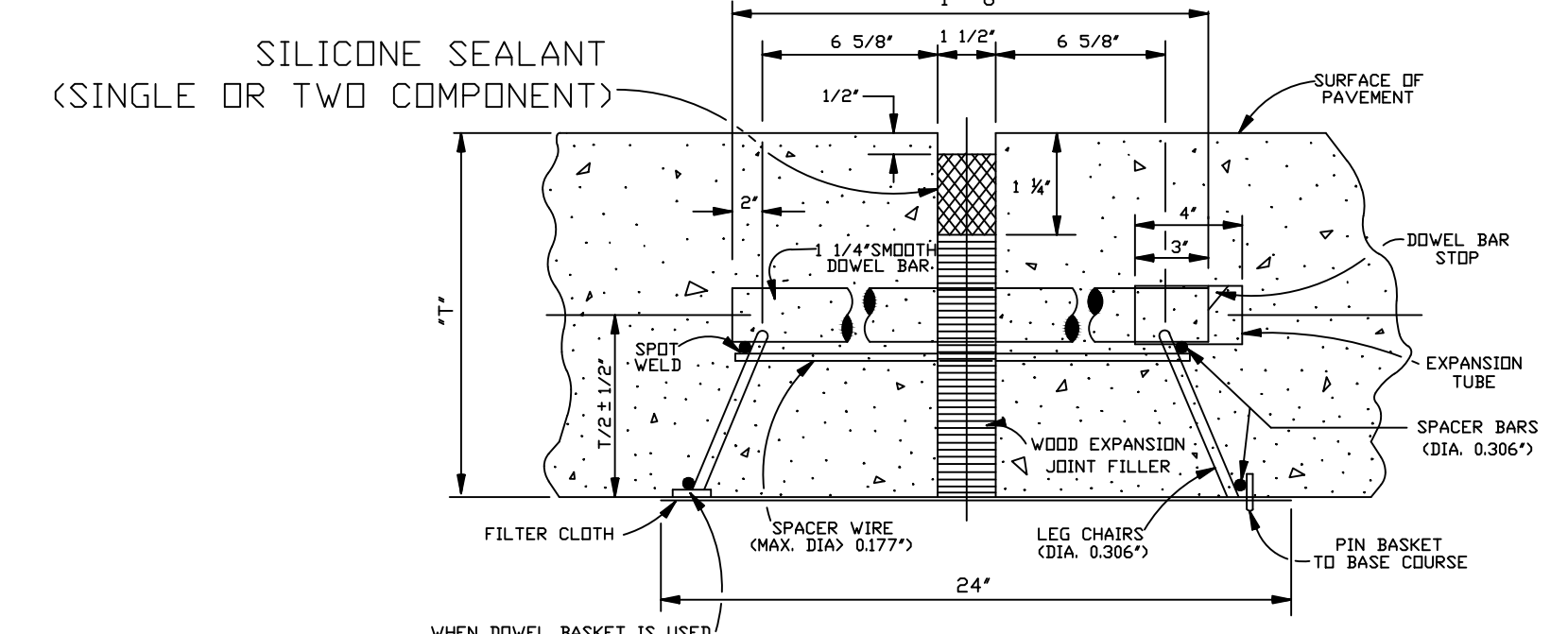


**MODIFIED CURB DOWELS**  
(USED ON MODIFIED BARRIER CURB)  
N.T.S.

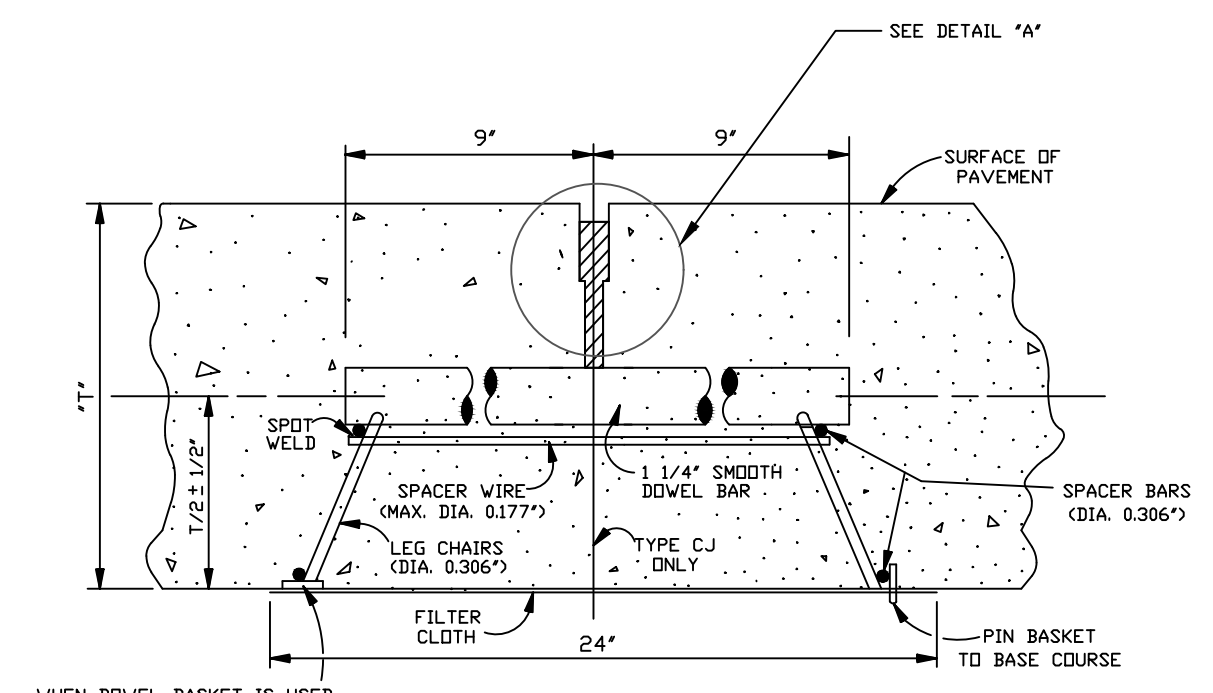


**ROLLOVER CURB IN THE GORE AREA**  
(U-TURN, LEFT TURN LANE OR ROADWAY SPLIT)  
N.T.S.

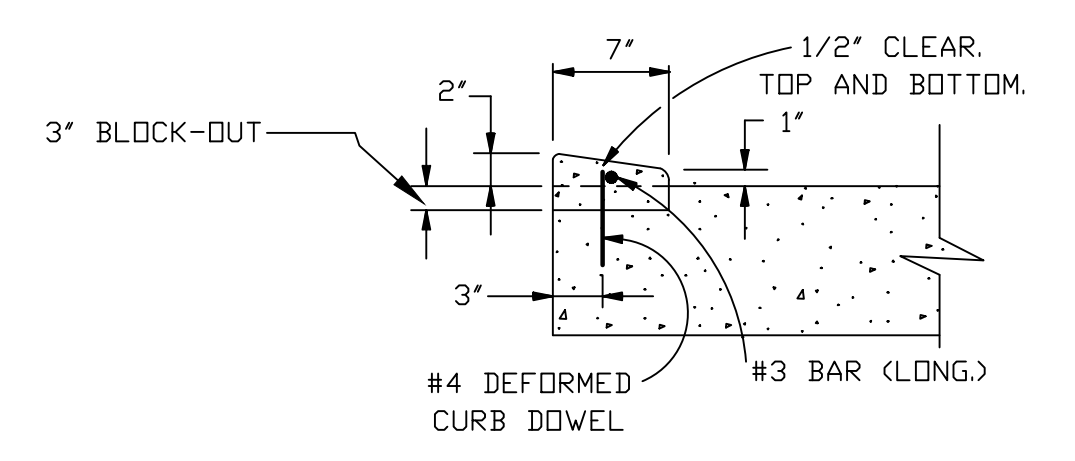
NOTES:  
1. WHERE CURB AND GUTTER IS USED, CONSTRUCT MODIFIED BARRIER CURB AND GUTTER INSTEAD OF MOUNTABLE CURB AND GUTTER.



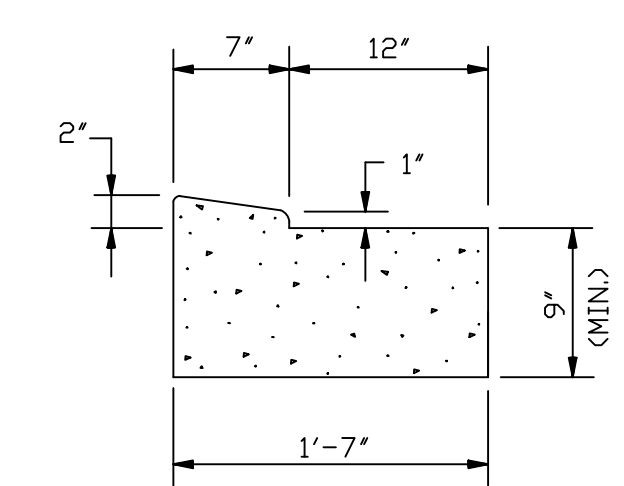
**TYPE EJ**  
(TRANSVERSE EXPANSION JOINT)  
(SECTION "A-A")  
N.T.S.



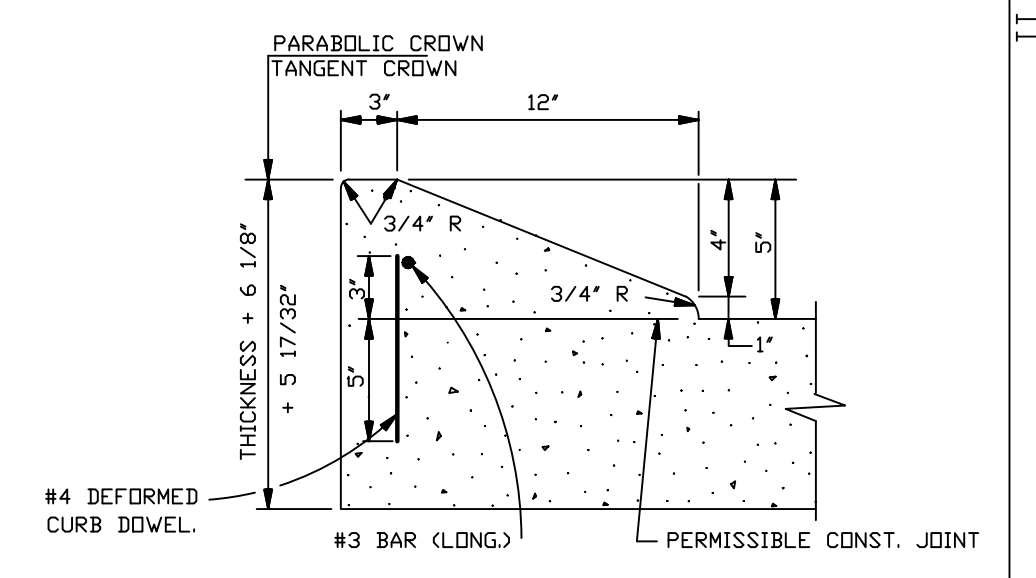
**TYPE DJ OR CJ**  
(TRANSVERSE DUMMY JOINT OR CONSTRUCTION JOINT)  
(SECTION "B-B")  
N.T.S.



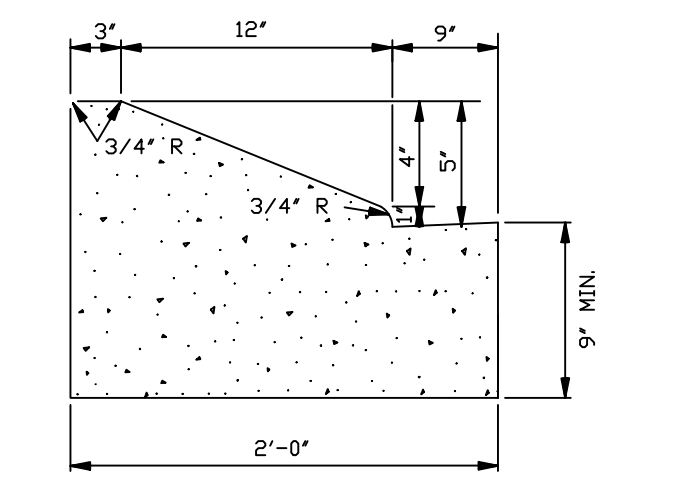
**MODIFIED BARRIER CURB**  
N.T.S.



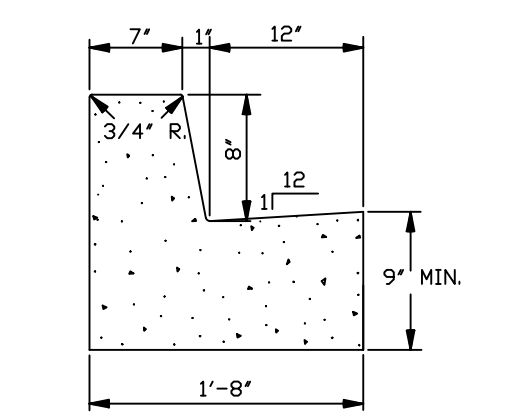
**MODIFIED BARRIER CURB AND GUTTER**  
N.T.S.



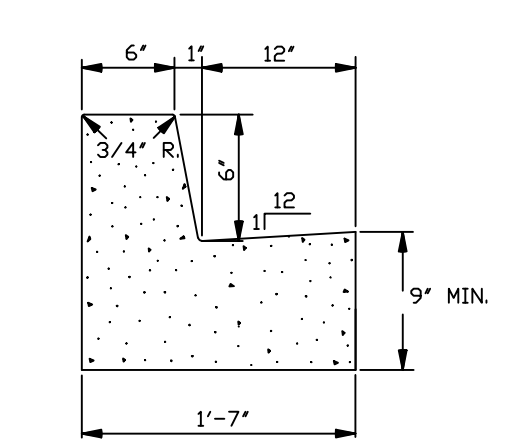
**5" HIGH ROLLOVER TYPE CONCRETE CURB**  
(CONCRETE PAVEMENT ROADWAY)  
N.T.S.



**5" HIGH ROLLOVER TYPE CONCRETE CURB & GUTTER**  
(ASPHALT PAVEMENT ROADWAY)  
N.T.S.



**8" HIGH BARRIER TYPE CONCRETE CURB & GUTTER**  
(ASPHALT PAVEMENT ROADWAY)  
N.T.S.



**6" HIGH BARRIER TYPE CONCRETE CURB & GUTTER**  
(ASPHALT PAVEMENT ROADWAY)  
N.T.S.

JEFFERSON PARISH DEPARTMENT OF ENGINEERING			
DRAWING TITLE			
TYPICAL ROADWAY DETAILS			
DRAWN BY: W.V.N.	DATE: 03/12/91	REVISED BY: H.J.W.	DATE: 08/18/00
REVISED BY: P.D.	DATE: 10/13/00	REVISED BY: H.J.W.	DATE: 01/30/01
REVISED BY: H.J.W.	DATE: 05/21/03	REVISED BY: H.J.W.	DATE: 08/14/03
REVISED BY: C.J.	DATE: 05/13/11	REVISED BY: C.J.	DATE: 07/18/12
REVISED BY: C.J.	DATE: 04/11/13	REVISED BY: C.J.	DATE: 09/24/15
REVISED BY: C.H.S.	DATE: 05/26/20	REVISED BY:	DATE:
XREF: AUTOCAD LT. 2004	WPN:	ROAD1.DWG	
FILE NUMBER:	2925		